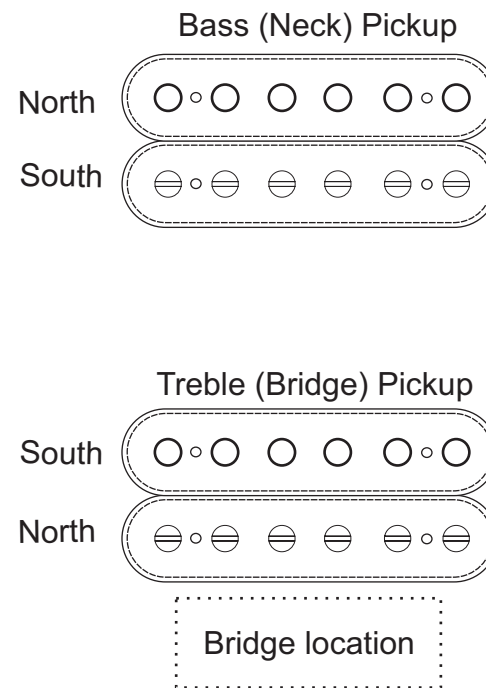
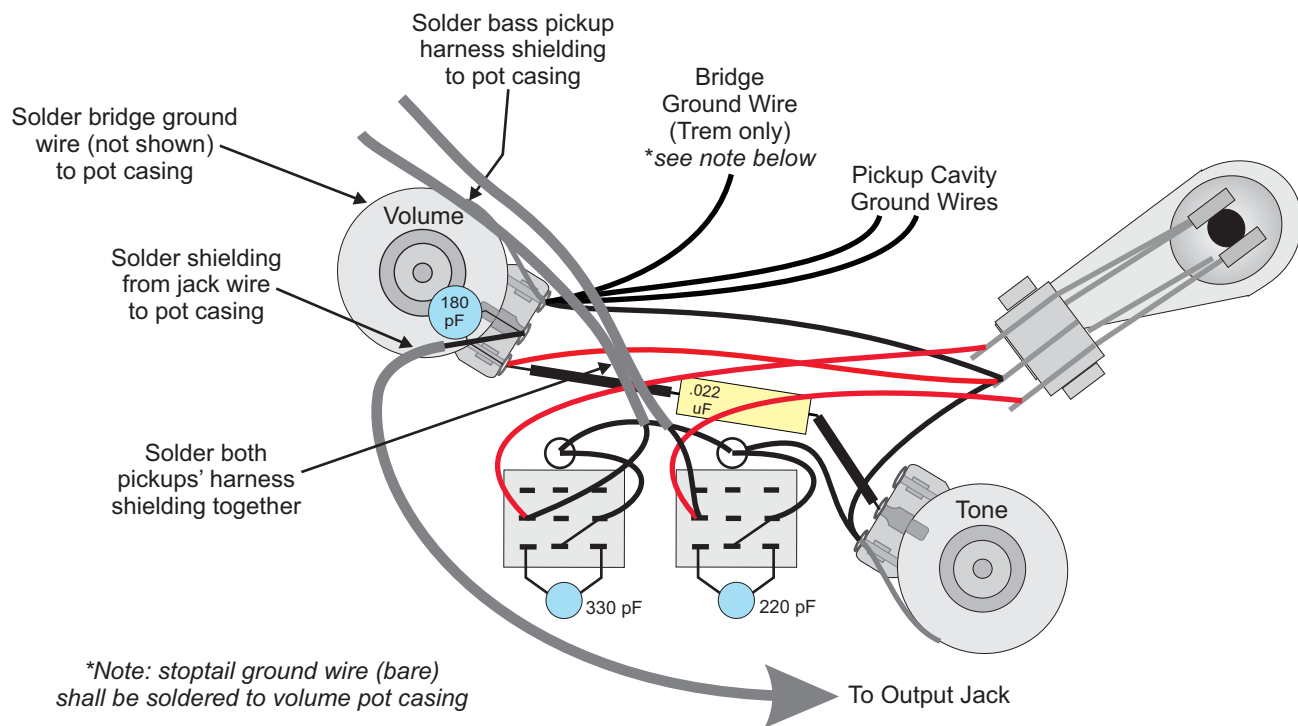
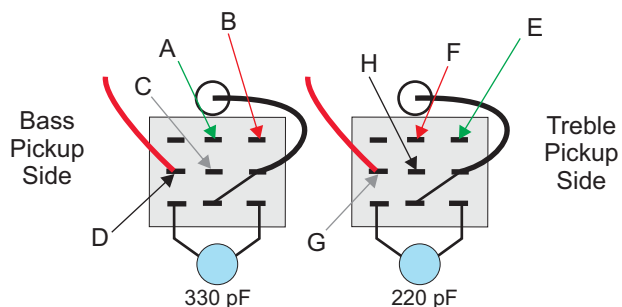


Model:
 PRS Paul's Guitar (pre-2024)
 PRS Custom 24-08 TCI (pre-2024)

Note Pickup shape is just for reference.
 All pickups using this diagram
 shall be oriented in this manner.



Mini Toggle Switches:



Bass Pickup Wires

- A - Green
- B - Red
- C - White
- D - Dearborn

Treble Pickup Wires

- E - Green
- F - Red
- G - Dearborn
- H - Black

Operating Instructions

3-Way Toggle Switch

- Position 1 (down) - Treble Pickup
- Position 2 (middle) - Treble and Bass Pickups
- Position 3 (up) - Bass Pickup

Mini-Toggle Switches

- Down - Humbucker Mode
- Up - Single Coil Mode

