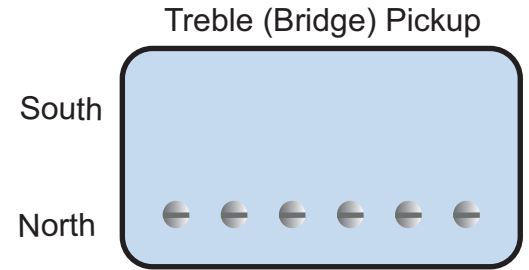
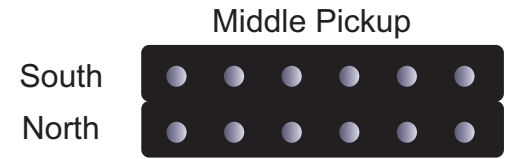
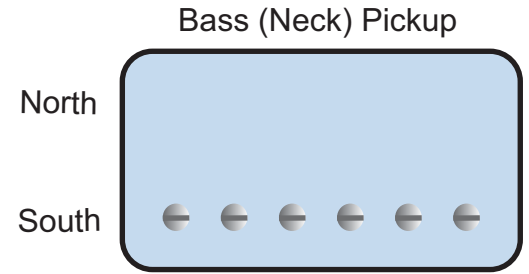
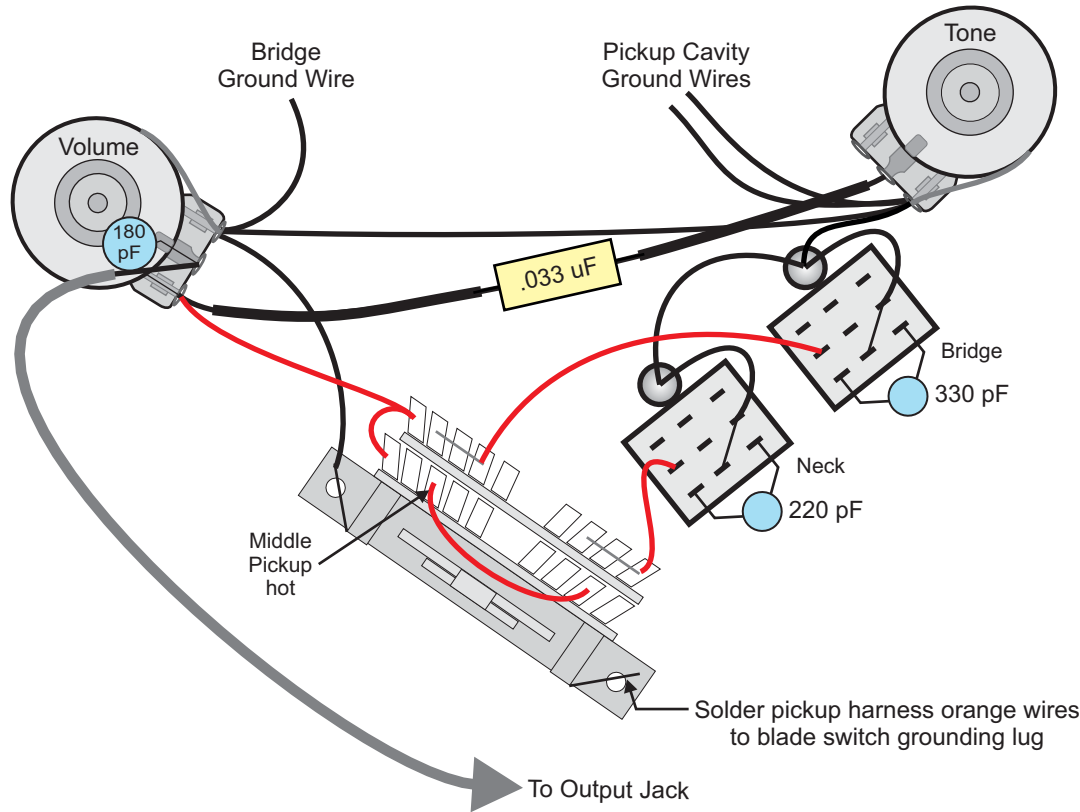


Model:  
PRS Special Semi-Hollow (pre-2024)

Note Pickup shape is just for reference.  
All pickups using this diagram shall be oriented in this manner.



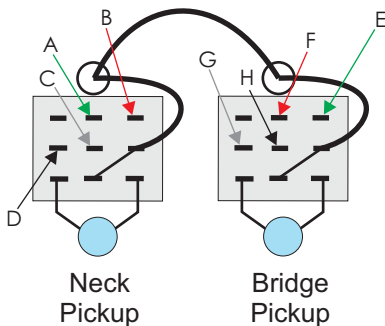
Neck Pickup Wires

- A - Green
- B - Red
- C - White
- D - Black

Bridge Pickup Wires

- E - Green
- F - Red
- G - White
- H - Black

Mini Toggle Switches:



Operating Instructions

5-Way Blade Switch

- Position 1 (down) - Treble Pickup
- Position 2 - Treble and Middle Pickups
- Position 3 - Treble and Bass Pickups
- Position 4 - Middle and Bass Pickups
- Position 5 (up) - Bass Pickup

Mini-Toggle Switches

- Down - Humbucker Mode
- Up - Single Coil Mode