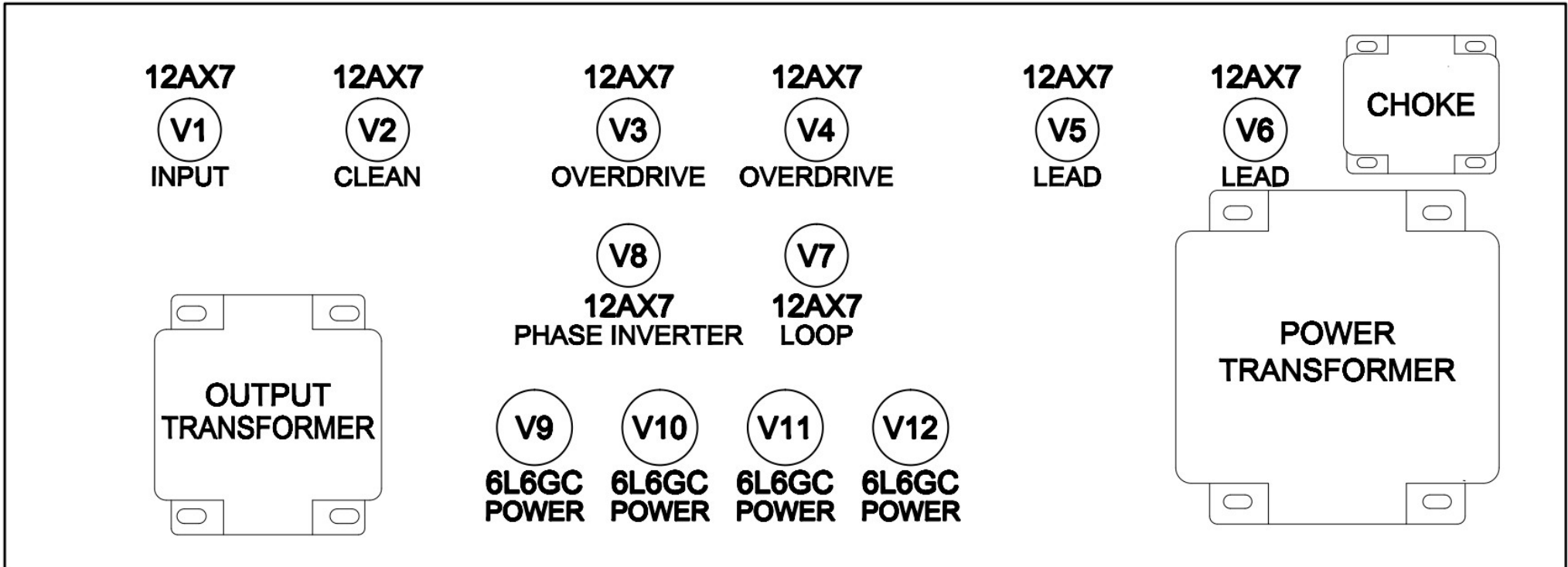


INPUT JACK



MT 100 TUBE LAYOUT